

Illustration - Type - E

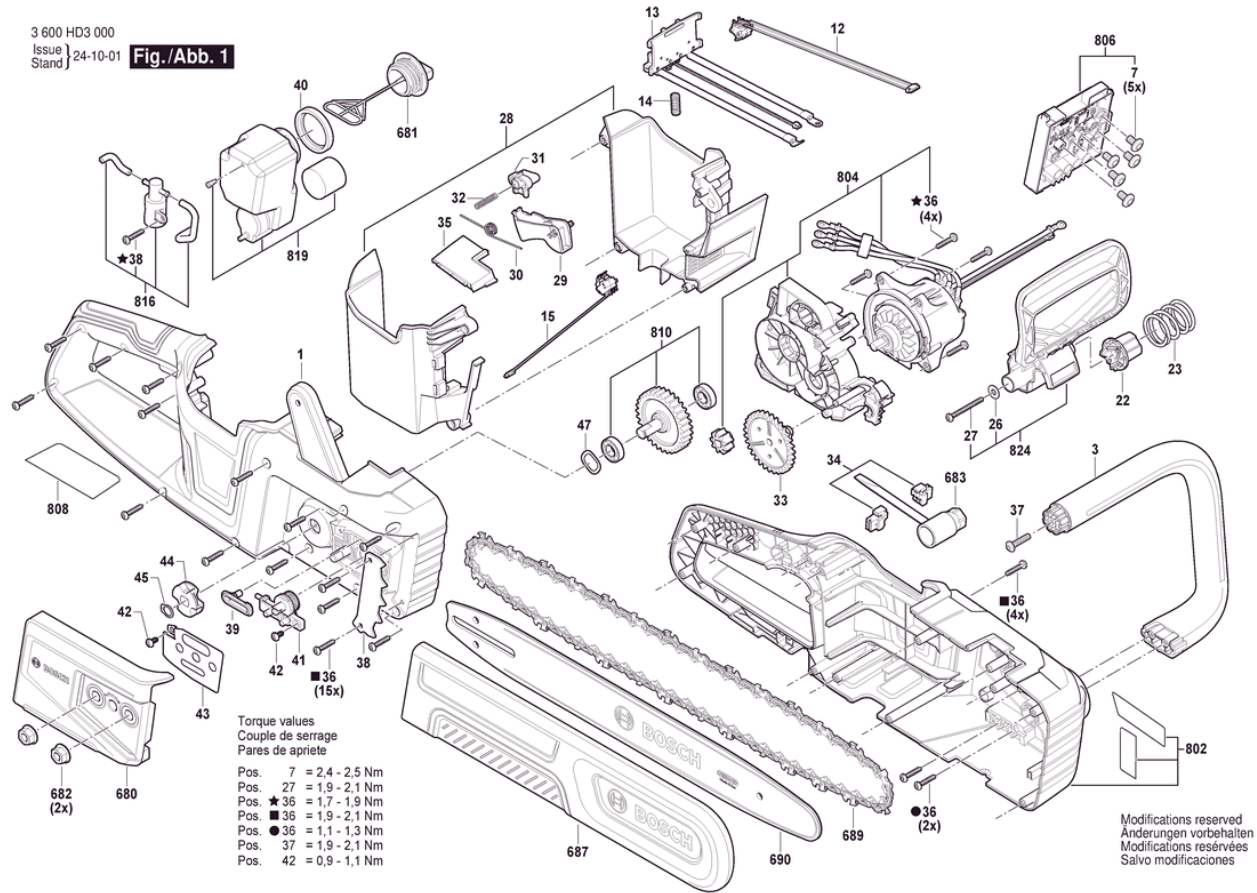
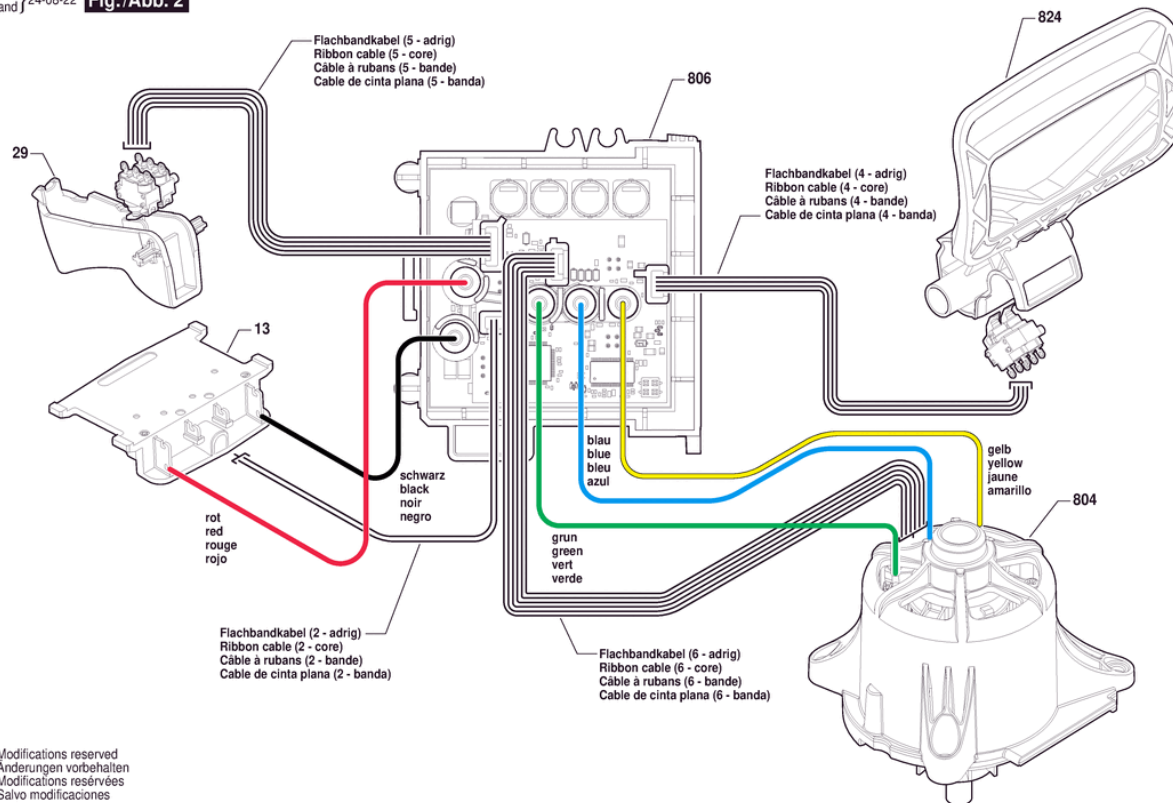


Illustration - Type - E

3 600 HD3 000
Issue
Stand

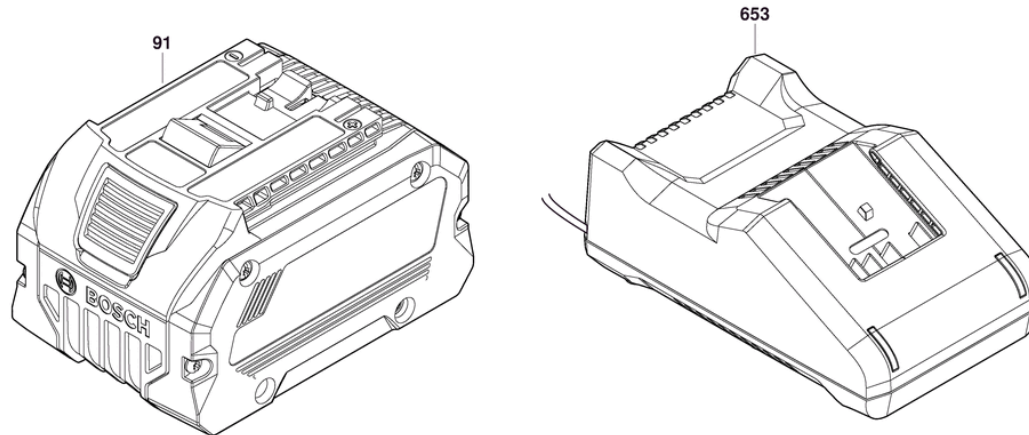
24-08-22 **Fig./Abb. 2**



Modifications reserved
Änderungen vorbehalten
Modifications réservées
Salvo modificaciones

Illustration - Type - E

3 600 HD3 000
Issue |
Stand | 24-09-04 **Fig./Abb. 3**



Modifications reserved
Änderungen vorbehalten
Modifications réservées
Salvo modificaciones

Spare parts list

Item	Part Number	Description
1	1 617 S02 0SE	Housing Assembly
3	1 605 132 193	Handle
7	1 603 430 03T	Screw
12	1 600 A02 0RK	Cable Wiring Set
14	1 609 280 477	Compression Spring
15	1 600 A03 286	Cable Wiring Set
22	1 600 A02 63A	Ratchet
23	1 604 612 04C	Spring
26	1 270 020 109	Plain Washer
27	2 603 490 027	Torx Oval-Head Screw 4X40
28	1 617 S02 0SH	Battery Housing
30	1 600 A02 65L	Spring
31	1 600 A02 036	Safety Switch
32	1 604 612 04D	Compression Spring
33	1 617 S02 0SJ	Worm-Gear Pair
34	1 617 S02 0SK	Holder
35	1 617 S02 0SL	Cover
36	2 603 490 023	Torx Oval-Head Screw 4X20
37	1 600 A01 N9H	Oval-Head Screw
38	1 600 A02 03D	Spiked bumper
39	1 617 S02 0SM	Sealing
40	1 600 A01 5DJ	Sealing
41	1 617 S02 0SN	Tensioning device
42	1 603 430 01Y	Torx Oval-Head Screw
43	1 617 S02 0SP	Cover
44	1 600 A02 62Y	Sprocket wheel
45	2 916 650 001	Spring retaining ring DIN 471-10X1MM-FST
47	1 617 S02 0SR	Washer
680	1 617 S02 0SS	Chain Cover
681	1 600 A02 7C7	RSV Cap
682	2 609 001 307	Hex Nut
683	1 617 S02 0ST	Offset Screwdriver
687	1 600 A02 0C8	Chain Guard
689	2 609 007 365	Saw Chain AKE 40

Spare parts list

Item	Part Number	Description
690	1 617 S02 OSU	Guide Rail
802	1 617 S02 OS9	Housing
808	1 617 S02 OSY	Nameplate
810	1 617 S02 OSC	Gear
816	1 600 A02 PT6	Pump
819	1 600 A02 NW1	Tank
13	1 617 S02 OSF	Contact Plate
29	1 600 A02 035	Switch Segment
804	1 617 S02 OSA	Brushless DC motor
806	1 617 S02 OSB	Electronics Module
824	1 617 S02 OSD	Protective Shield
91	1 617 S02 1ZW	Battery Pack
653	2 607 226 251	Fast Charger